

Seat ventilation blower

DRF-2616 Standard

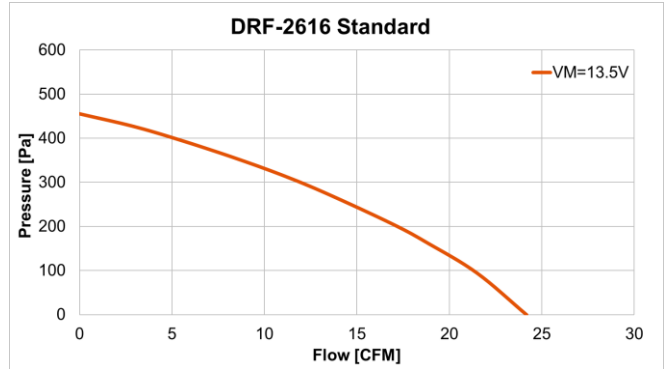


Size 100 x 100 x 21 mm

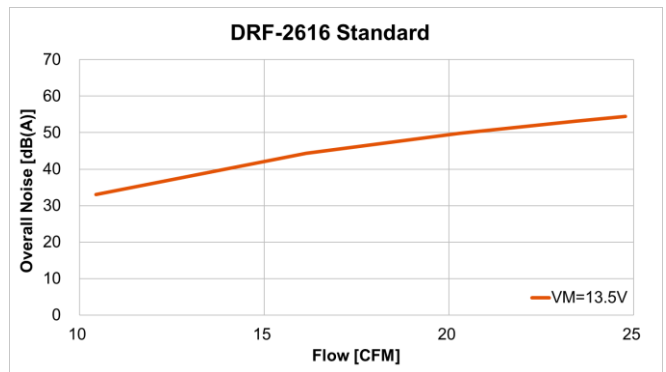
Motor Specification

| | | |
|-----------------------------|-------|--|
| Type of motor | - | DC Brushless |
| Weight | g | 117 |
| Size | mm | 100 x 100 |
| Thickness at housing scroll | mm | 21 |
| Motor output | W | 2.6 |
| Maximum current | A | 0.9 |
| Operating voltage range | V | 9 to 16 |
| Operating temperature | °C | -40 to 80 |
| Storage temperature | °C | -40 to 85 |
| Operating relative humidity | % | 95 |
| Maximum pressure | Pa | 450 |
| Maximum flow | CFM | 24 |
| Speed | RPM | 4,460 |
| Noise | dB(A) | 55 |
| Bearing type | - | Ball |
| IP rating | - | IP52 |
| Housing material | - | Plastic |
| Impeller material | - | Plastic |
| Interface | - | Power, Ground, Speed control (PWM or Analog) |

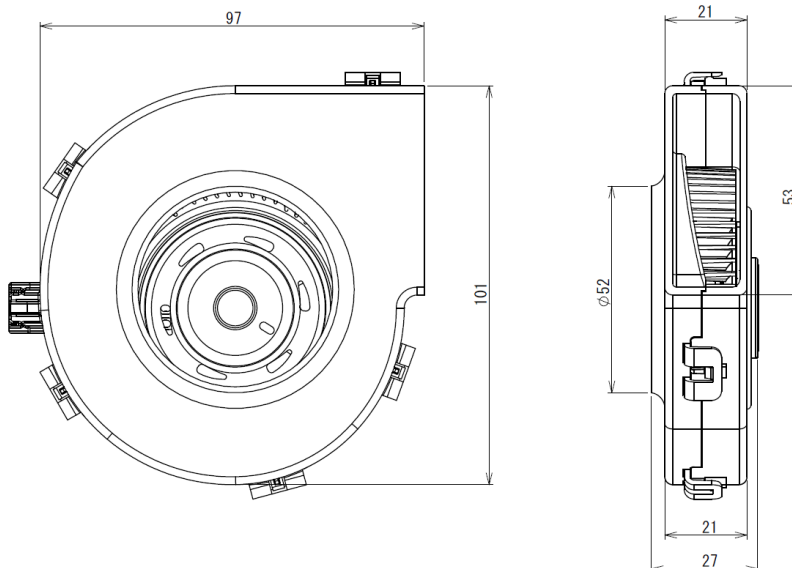
P-Q Performance Curve



Noise Performance Curve



Dimension



■ Japan (Headquarters)

Shinano Kenshi Co., Ltd.

1078, Kami-maruko, Ueda City, Nagano 386-0498
Japan
jp.aspina-group.com

■ USA

ASPINA Inc.

18952 MacArthur Boulevard, Suite 230, Irvine, California 92612
U.S.A.
us.aspina-group.com

■ Europe

ASPINA GmbH

Köln Str. 12, 65760 Eschborn
Germany
eu.aspina-group.com